

ATX™ SBDB Series Beacon and Strobe Lighting Units

Flameproof

ATEX/IECEX:
Zone 1 and 2 - 21 and 22
Ⓢ II 2 GD
IP66/67 - IK8

Applications

- For use in hazardous locations in a wide range of plants.
- In areas where audible signals cannot be heard.
- To warn of unsafe conditions and other communication needs.

Features

- Fixtures operate in any position.
- Mounting strap for surface mounting supplied.
- High temperature internal wiring.
- Threaded flame path.
- Stainless steel fastenings.
- Closed by screwing on bezel.
- Connection through an increased safety Exe compartment with terminal block
 - Two 2 x 6 mm² (0.003 x 0.009 in²) and two earth terminal 1 x 4 mm² (0.002 x 0.006 in²).
- External earth terminal 1 x 4 mm² (0.002 x 0.006 in²).
- Two side M20 threaded entries supplied with:
 - 1 x M20 plastic cable-gland for unarmored cable – 6.5 to 14.5 mm (0.26 x 0.57 in) sealing diameter.
 - 1 x M20 blanking plug.
- Static Beacon:
 - E27 lamp holder.
 - Permissible lamps not supplied:
 - 100 W incandescent max.
 - 18 W compact fluorescent.
 - Globe available in four colors:
 - Red, amber, green and clear (to be ordered separately).
- Rotating Beacon:
 - E14 lamp holder.
 - 40 W incandescent lamp supplied.
 - Rotating speed: approximately 170 rotations per minute.
 - Beaten mirror to reinforce bright effect.
 - Globe available in four colors:
 - Red, amber, green and clear (to be ordered separately).
- 5 Joules Strobe Beacon:
 - Xenon lamp supplied.
 - Instantaneous illuminance: 50,000 candles.
 - Strobe 60 flashes per minute.
 - Operating factor 100%.
 - Life duration: 70% efficiency after 8 million flashes.
 - Internal red colored lens supplied as standard.
 - Other lenses available in five colors:
 - Amber, blue, green, yellow and clear (factory installed).

Standard Material of Fixtures

- Body and bezel: gray painted marine aluminum
- Lens: colorless sealed shock resistant glass
- Internal reflector for static beacon: aluminum
- Mounting strap: gray painted aluminum

Standard Material of Accessories

- Globe: colored Polymethacrylate
- Protective guard: zinc plated steel

Options

- Other lens colors for strobe beacon



Strobe Lighting

Beacon Lighting

ATEX/IECEX Certifications and Compliances

- Certification Type: LTd (model (LT1d))
 - Gas: Zones 1 and 2
 - Conforming to ATEX 94/9/CE: Ⓢ II 2 G
 - Type of Protection: Ex de IIC
 - Temperature Class: See *Temperature Rating – Gas table* on following page
 - Dust: Zone 21-22
 - Conforming to ATEX 94/9/CE: Ⓢ II 2 D
 - Type of Protection: Ex tD A21
 - Surface Temperature: See *Temperature Rating – Dust table* on following page
- Ambient Temperature:
 - Strobe: -40 °C to +55 °C (-40 °F to +131 °F)
 - Rotating Beacon: -20 °C to +50 °C (-4 °F to +122 °F)
- CE Declaration of Conformity: 50246
- ATEX Certificate: LCIE 02 ATEX 6165
- IECEx Certificate: IECEx LCI Ex 04.0019
- Index of Protection according EN/IEC 60529: IP66/67
- Impact Resistance (shock): IK08

Other Certification

- INMETRO Certificate: BVC11.0417 ①

① Inmetro certification available on special request only. Contact your local sales representative for more information.

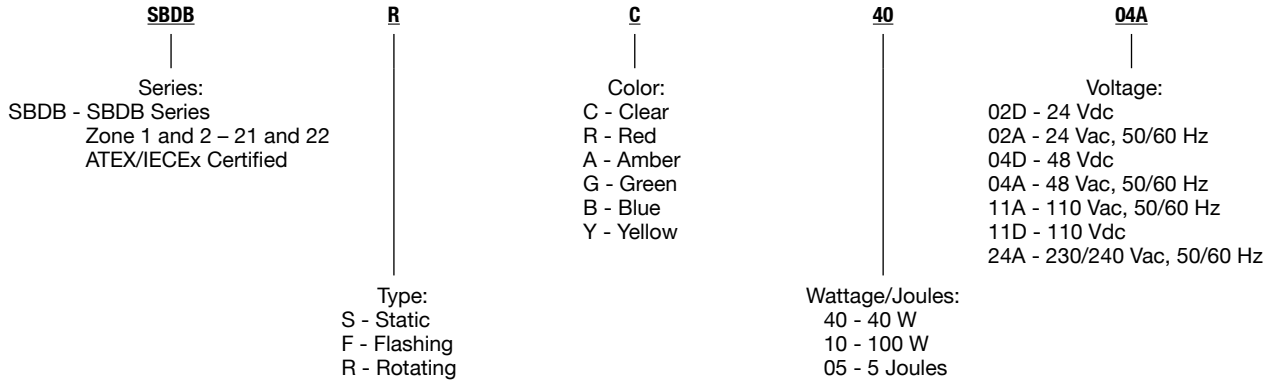
ATX™ SBDB Series Beacon and Strobe Lighting Units

Flameproof

ATEX/IECEX:
 Zone 1 and 2 - 21 and 22
 II 2 GD
 IP66/67 - IK8

Order using catalog numbering guide below or select catalog number from the following pages.

Catalog Numbering Guide – SBDB Series Beacon and Strobe Lighting Units



VISUAL SIGNAL: ATEX/IECEX FLAMEPROOF

Appleton®

Temperature Rating – Gas

Lamp Type and Wattage	Ambient Temperature					
	Lighting Downwards			Lighting Upwards		
Ta =	+40 °C (+104 °F)	+50 °C (+122 °F)	+55 °C (+131 °F)	+40 °C (+104 °F)	+50 °C (+122 °F)	+55 °C (+131 °F)
18 W Fluorescent Compact	T6	T6	T6	T6	T5	T5
100 W Incandescent	T4	T3	T3	T3	T3	T3
40 W Rotating	T5	T4	T4	T5	T4	T4
Strobe 5 Joules	T6	T6	T6	T6	T6	T6

Temperature Rating – Dust

Lamp Type and Wattage	Positions	
	Lighting Downwards	Lighting Upwards
Ta =	+55 °C (+131 °F)	+55 °C (+131 °F)
18 W Fluorescent Compact	T80 °C (T176 °F)	T95 °C (T203 °F)
100 W Incandescent	T195 °C (T383 °F)	T195 °C (T383 °F)
40 W Rotating	T130 °C (T266 °F)	T130 °C (T266 °F)
Strobe 5 Joules	T80 °C (T176 °F)	T80 °C (T176 °F)





ATX™ SBDB Series Beacon and Strobe Lighting Units

Flameproof

ATEX/IECEX:
Zone 1 and 2 - 21 and 22
II 2 GD
IP66/67 – IK8

Type	Supply	Rating (Amps)	Weight (kg (lb))	Volume (dm ³ (in ³))	Catalog Number
Clear Static Beacon					
100 W Maximum	—	—	7.5 (16.3)	30 (1830.7)	SBDBSC
Clear Rotating Beacon					
40 W	48 Vac	+/-10%	50/60 Hz	1A	8.5 (18.74) 30 (1830.7) SBDBRC4004A
40 W	48 Vdc	+/-10%	—	1A	8.5 (18.74) 30 (1830.7) SBDBRC4004D
40 W	110 Vac	+/-10%	50/60 Hz	0.5A	8.5 (18.74) 30 (1830.7) SBDBRC4011A
40 W	230/240 Vac	+/-10%	50/60 Hz	0.23A	8.5 (18.74) 30 (1830.7) SBDBRC4024A
Red Strobe Beacon					
5 joules	24 Vac	20-30 V	50/60 Hz	220 mA	8.5 (18.74) 30 (1830.7) SBDBFR0502A
5 joules	24 Vdc	18-35 V	—	230 mA	8.5 (18.74) 30 (1830.7) SBDBFR0502D
5 joules	48 Vac	40-54 V	50/60 Hz	180 mA	8.5 (18.74) 30 (1830.7) SBDBFR0504A
5 joules	48 Vdc	40-60 V	—	150 mA	8.5 (18.74) 30 (1830.7) SBDBFR0504D
5 joules	110 Vac	90-135 V	50/60 Hz	110 mA	8.5 (18.74) 30 (1830.7) SBDBFR0511A
5 joules	110 Vdc	88-132 V	—	90 mA	8.5 (18.74) 30 (1830.7) SBDBFR0511D
5 joules	230/240 Vac	185-255 V	50/60 Hz	55 mA	8.5 (18.74) 30 (1830.7) SBDBFR0523A

Accessories and Replacement Parts

Description	Catalog Number
Polymethacrylate Globe	
	Red SBDGR
	Green SBDGG
	Amber SBDGA
	Clear SBDGC
Zinc Plated Steel Protective Guard	
	Using without colored globe LDPG1Z
Zinc Plated Steel Hinged Bracket	
	Bracket for installation on flat surface LDMHBZ
Zinc Plated Steel M10 Eyebolt	
	Eyebolt for suspension LDRBM10Z

VISUAL SIGNAL: ATEX/IECEX FLAMEPROOF

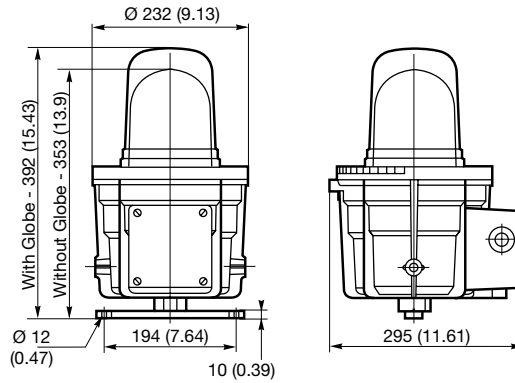
Appleton®

ATX™ SBDB Series Beacon and Strobe Lighting Units

Flameproof

ATEX/IECEX:
Zone 1 and 2 - 21 and 22
II 2 GD
IP66/67 - IK8

Dimensions in Millimeters (Inches)



VISUAL SIGNAL: ATEX/IECEX FLAMEPROOF

Appleton®